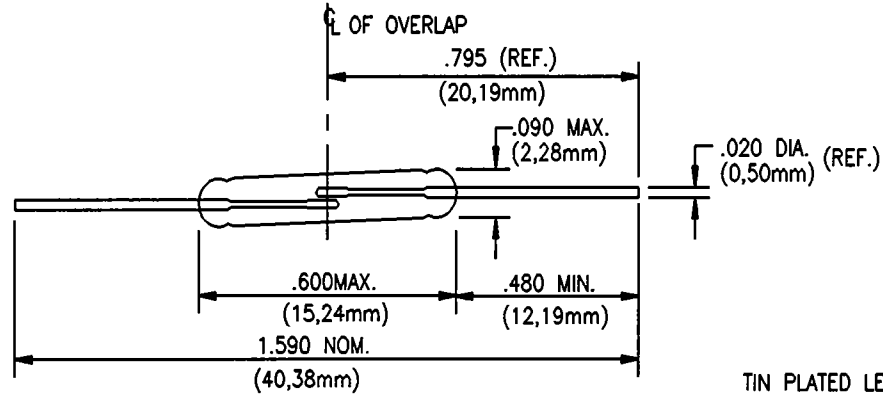


DWG. NO. 10-5263-1 PART MDSR-4



ELECTRICAL RATINGS				MAGNETIC CHARACTERISTICS			
CONTACT FORM			A	TEST COIL L4989			
CONTACT RATING		WATTS	10				
RATING SENSITVITY		AMPERE TURNS	20				
VOLTAGE	SWITCHING	VDC-MAX.	200	STANDARD TOLERANCE	AMPERE TURNS	12-23	
	BREAKDOWN	VDC-MIN	250			PULL-IN RANGES	17-28
	ARC-QUENCH	VDC-MIN	200				22-33
						27-38	
CURRENT	SWITCHING	AMPERES-MAX.	0.5	TIGHTENED TOLERANCE	AMPERE TURNS	12-18	
	CARRY	AMPERES-MAX.	1.2			PULL-IN RANGES	17-23
RESISTANCE	CONTACT, INITIAL	OHMS-MAX.	0.10			22-28	
	INSULATION	OHMS-MIN.	10 10			27-33	
CAPACITANCE		PICOFARADS-TYP.	0.2			32-38	

OPERATING CHARACTERISTICS			
OPERATE TIME		ms-MAX.	0.6
RELEASE TIME		ms-MAX.	0.2
SHOCK	G's MAX., 11ms 1/2 SINE WAVE		100
VIBRATION	G's MAX., 50-2000 HERTZ		30
RESONANT FREQUENCY		HERTZ, TYP.	3900
TEMPERATURE OPERATING		DEGREES, CELSIUS	-40 TO +125
		STORAGE	DEGREES, CELSIUS
SEE REED SWITCH CATALOG FOR DEFINITION OF TERMS			

DROP-OUT (DESIGN PARAMETER)

EXAMPLE:  
17-33 AT PULL-IN  
8-21 AT DROP-OUT

DRAWING REVISIONS		
REV. NO.	DATE	DCR NO.

**HAMLIN**  
1993  
THIS DESIGN AND PRINT IS COPYRIGHT AND IS THE PROPERTY OF HAMLIN INC. IT MUST NOT BE COPIED OR PERMITTED TO BE COPIED. NOR MUST ITS CONTENTS BE DIVULGED TO ANY THIRD PARTY WITHOUT PRIOR WRITTEN PERMISSION FROM THE COMPANY.

SHEET 1 OF 1 SHEET(S)  
DIM.: INCHES (mm)  
DWG. NO. 10-5263-1

MDSR-4